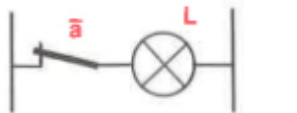
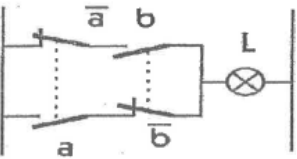
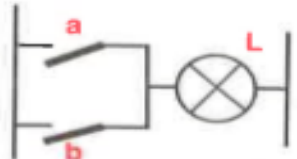


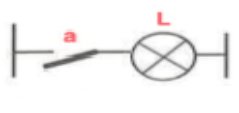

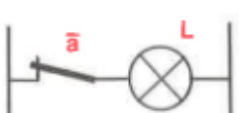

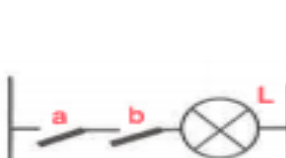
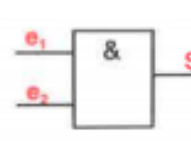
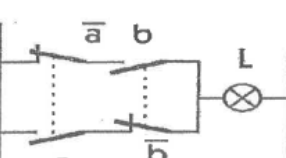
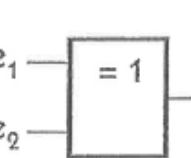


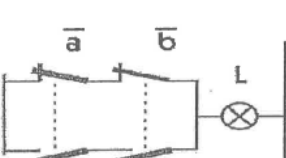
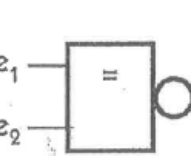
Exercice 1 :

1. Complétez le tableau suivant :

Opérateur	Schéma à contacts	Symbole logique	Table vérité	Equation logique												
			<table border="1"> <tr> <td>e</td> <td>S</td> </tr> <tr> <td>0</td> <td>0</td> </tr> <tr> <td>1</td> <td>1</td> </tr> </table>	e	S	0	0	1	1	$S=e$						
e	S															
0	0															
1	1															
			<table border="1"> <tr> <td>e</td> <td>S</td> </tr> <tr> <td></td> <td></td> </tr> <tr> <td></td> <td></td> </tr> </table>	e	S					$S=\bar{e}$						
e	S															
ET			<table border="1"> <tr> <td>e₁</td> <td>e₂</td> <td>S</td> </tr> <tr> <td></td> <td></td> <td></td> </tr> <tr> <td></td> <td></td> <td></td> </tr> <tr> <td></td> <td></td> <td></td> </tr> </table>	e ₁	e ₂	S										
e ₁	e ₂	S														
			<table border="1"> <tr> <td>e₁</td> <td>e₂</td> <td>S</td> </tr> <tr> <td></td> <td></td> <td></td> </tr> <tr> <td></td> <td></td> <td></td> </tr> <tr> <td></td> <td></td> <td></td> </tr> </table>	e ₁	e ₂	S										
e ₁	e ₂	S														
			<table border="1"> <tr> <td>e₁</td> <td>e₂</td> <td>S</td> </tr> <tr> <td></td> <td></td> <td></td> </tr> <tr> <td></td> <td></td> <td></td> </tr> <tr> <td></td> <td></td> <td></td> </tr> </table>	e ₁	e ₂	S										
e ₁	e ₂	S														
OU-NON Exclusif			<table border="1"> <tr> <td>e₁</td> <td>e₂</td> <td>S</td> </tr> <tr> <td></td> <td></td> <td></td> </tr> <tr> <td></td> <td></td> <td></td> </tr> <tr> <td></td> <td></td> <td></td> </tr> </table>	e ₁	e ₂	S										
e ₁	e ₂	S														

Corrigés

1. Complétez le tableau suivant :

Opérateur	Schéma à contacts	Symbole logique	Table vérité	Equation logique															
OUI			<table border="1"> <tr> <th>e</th> <th>S</th> </tr> <tr> <td>0</td> <td>0</td> </tr> <tr> <td>1</td> <td>1</td> </tr> </table>	e	S	0	0	1	1	$S=e$									
e	S																		
0	0																		
1	1																		
NON			<table border="1"> <tr> <th>e</th> <th>S</th> </tr> <tr> <td>0</td> <td>1</td> </tr> <tr> <td>1</td> <td>0</td> </tr> </table>	e	S	0	1	1	0	$S=\bar{e}$									
e	S																		
0	1																		
1	0																		
ET			<table border="1"> <tr> <th>e₁</th> <th>e₂</th> <th>S</th> </tr> <tr> <td>0</td> <td>0</td> <td>0</td> </tr> <tr> <td>1</td> <td>0</td> <td>0</td> </tr> <tr> <td>0</td> <td>1</td> <td>0</td> </tr> <tr> <td>1</td> <td>1</td> <td>1</td> </tr> </table>	e ₁	e ₂	S	0	0	0	1	0	0	0	1	0	1	1	1	$S = e_1 \cdot e_2$
e ₁	e ₂	S																	
0	0	0																	
1	0	0																	
0	1	0																	
1	1	1																	
			<table border="1"> <tr> <th>e₁</th> <th>e₂</th> <th>S</th> </tr> <tr> <td>0</td> <td>0</td> <td>0</td> </tr> <tr> <td>0</td> <td>1</td> <td>1</td> </tr> <tr> <td>1</td> <td>0</td> <td>1</td> </tr> <tr> <td>1</td> <td>1</td> <td>0</td> </tr> </table>	e ₁	e ₂	S	0	0	0	0	1	1	1	0	1	1	1	0	$S = e_1 \oplus e_2$ $S = \bar{e}_1 \cdot e_2 + e_1 \cdot \bar{e}_2$
e ₁	e ₂	S																	
0	0	0																	
0	1	1																	
1	0	1																	
1	1	0																	
OU			<table border="1"> <tr> <th>e₁</th> <th>e₂</th> <th>S</th> </tr> <tr> <td>0</td> <td>0</td> <td>0</td> </tr> <tr> <td>0</td> <td>1</td> <td>1</td> </tr> <tr> <td>1</td> <td>0</td> <td>1</td> </tr> <tr> <td>1</td> <td>1</td> <td>1</td> </tr> </table>	e ₁	e ₂	S	0	0	0	0	1	1	1	0	1	1	1	1	$S = e_1 + e_2$
e ₁	e ₂	S																	
0	0	0																	
0	1	1																	
1	0	1																	
1	1	1																	
OU-NON Exclusif			<table border="1"> <tr> <th>e₁</th> <th>e₂</th> <th>S</th> </tr> <tr> <td>0</td> <td>0</td> <td>1</td> </tr> <tr> <td>0</td> <td>1</td> <td>0</td> </tr> <tr> <td>1</td> <td>0</td> <td>0</td> </tr> <tr> <td>1</td> <td>1</td> <td>1</td> </tr> </table>	e ₁	e ₂	S	0	0	1	0	1	0	1	0	0	1	1	1	$S = e_1 \odot e_2$ $S = \bar{e}_1 \cdot \bar{e}_2 + e_1 \cdot e_2$
e ₁	e ₂	S																	
0	0	1																	
0	1	0																	
1	0	0																	
1	1	1																	